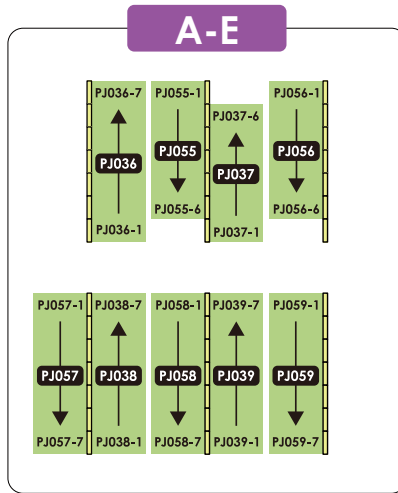
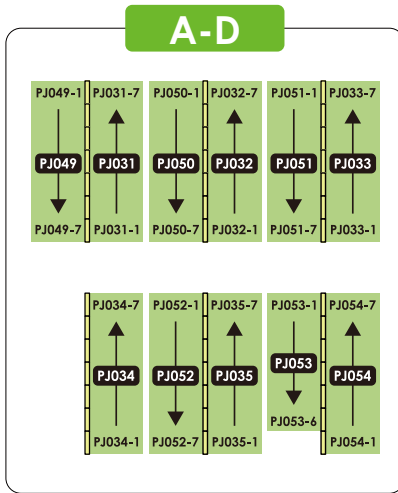
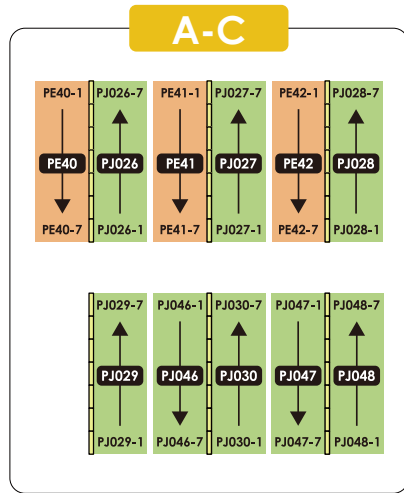
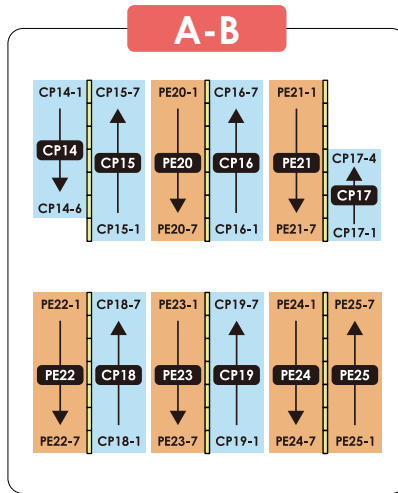
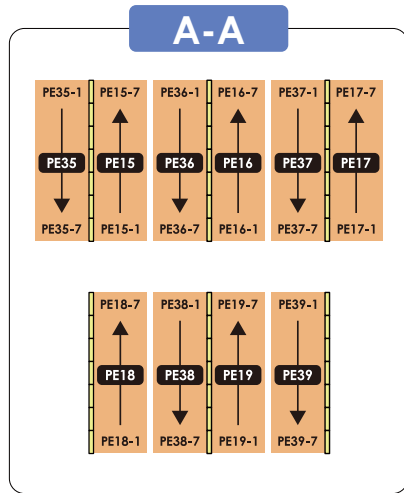
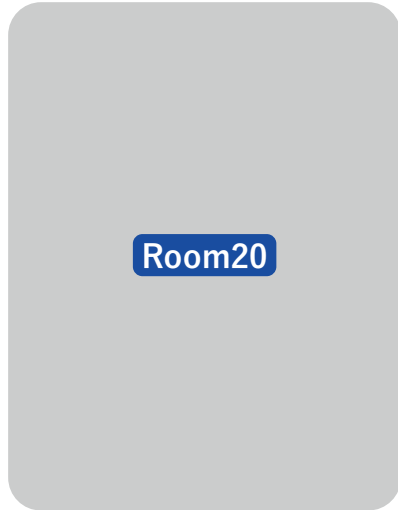


# Poster Presentation (Area A)

# March 11/Day2



ポスター座長受付

セッション記号	テーマ	Zone
PE15	Ablation 3	A-A
PE16	Ablation 4	A-A
PE17	Ablation Imaging	A-A
PE18	ACS Diagnosis	A-A
PE19	Artificial Intelligence	A-A
PE20	Atrial Fibrillation 1	A-B
PE21	Atrial Fibrillation 2	A-B
PE22	Device 3	A-B
PE23	Echo 1	A-B
PE24	Echo 2	A-B
PE25	Heart Failure (Biomarkers) 1	A-B
PJ026	Ablation 2	A-C
PJ027	Ablation 3	A-C
PJ028	ACS 2	A-C
PJ029	ACS 3	A-C
PJ030	ACS Diagnosis 1	A-C
PJ031	ACS Diagnosis 2	A-D
PJ032	Atherosclerosis Clinical 2	A-D
PJ033	Atrial Fibrillation 3	A-D
PJ034	Atrial Fibrillation 4	A-D
PJ035	Coronary Circulation 2	A-D
PJ036	Coronary Circulation 3	A-E
PJ037	Device 1	A-E
PJ038	Heart Failure (Biomarkers) 1	A-E
PJ039	Heart Failure (Biomarkers) 2	A-E

セッション記号	テーマ	Zone
PE35	Atrial Fibrillation 3	A-A
PE36	Atrial Fibrillation 4	A-A
PE37	CT/MRI 1	A-A
PE38	CT/MRI 2	A-A
PE39	Heart Failure (Biomarkers) 2	A-A
PE40	Device 2	A-C
PE41	PAD 2	A-C
PE42	PCI	A-C
PJ046	Ablation 4	A-C
PJ047	Ablation Imaging 1	A-C
PJ048	ACS 4	A-C
PJ049	ACS 5	A-D
PJ050	CT/MRI 3	A-D
PJ051	Echo 1	A-D
PJ052	Echo 2	A-D
PJ053	Heart Failure (Non-pharmacology) 1	A-D
PJ054	Heart Failure (Non-pharmacology) 2	A-D
PJ055	Heart Failure, Basic 3	A-E
PJ056	Heart Failure, Basic 4	A-E
PJ057	PAD 1	A-E
PJ058	PAD 2	A-E
PJ059	PCI 1	A-E
CP14	リハビリテーション(外来心臓リハビリテーション)	A-B
CP15	心疾患の薬物治療	A-B
CP16	心不全の運動と身体活動	A-B
CP17	チーム医療3	A-B
CP18	画像診断(CT他)	A-B
CP19	不整脈・アブレーション2	A-B

# Poster Presentation (Area B)

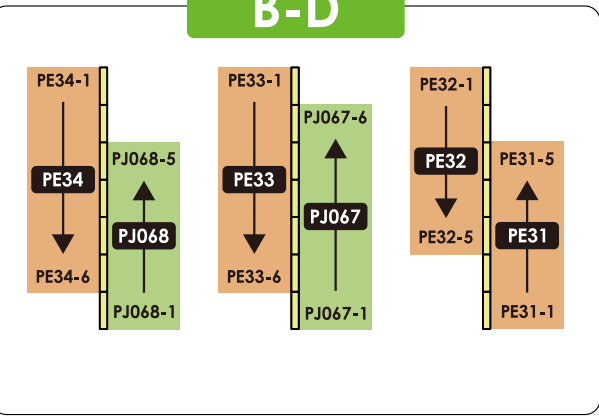
## March 11/Day2

AM 09:35~10:25		Zone
セッション記号	テーマ	
PE26	Heart Failure (Non-pharmacology)	B-B
PE27	Heart Failure, Basic 2	B-B
PE28	Heart Failure, Basic 3	B-B
PE29	HF, Pathophysiology 3	B-B
PE30	HF, Pathophysiology 4	B-B
PE31	Hypertension	B-D
PE32	Jwave/LQT	B-D
PE33	Thromboembolism/Thrombolysis 1	B-D
PE34	Thromboembolism/Thrombolysis 2	B-D
PJ040	HF, Pathophysiology 1	B-C
PJ041	Hypertension	B-C
PJ042	Pulmonary Circulation 1	B-C
PJ043	Pulmonary Circulation 2	B-B
PJ044	HF, Structural Heart Disease 3	B-B
PJ045	HF, Structural Heart Disease 4	B-B
CP08	心不全のリハビリテーション	B-A
CP09	リハビリテーション(TAVI・その他)	B-A
CP10	栄養管理	B-A
CP11	症例報告(慢性疾患と多職種連携)	B-A
CP12	侵襲検査・安全管理	B-C
CP13	チーム医療2	B-C

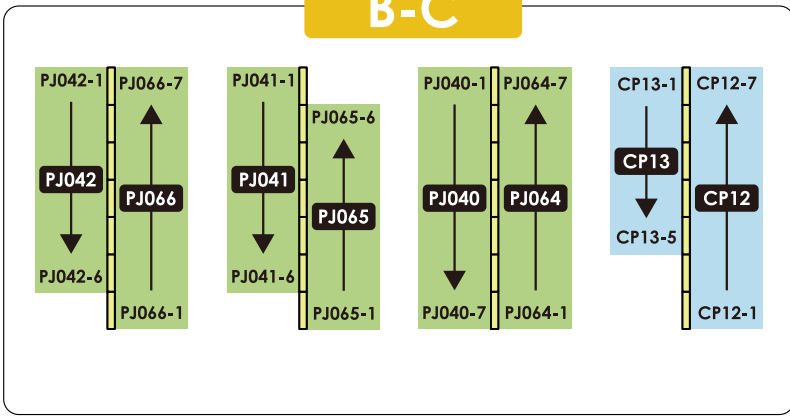
PM 14:50~15:50		Zone
セッション記号	テーマ	
PE43	Preventive Medicine/Epidemiology 1	B-A
PE44	Preventive Medicine/Epidemiology 2	B-A
PE45	Preventive Medicine/Epidemiology 3	B-B
PE46	PVC/VT/VF	B-B
PJ060	PCI DES 1	B-B
PJ061	PCI DES 2	B-B
PJ062	PCI Imaging 1	B-B
PJ063	PCI Imaging 2	B-B
PJ064	PVC/VT/VF	B-C
PJ065	Structural Heart Disease 1	B-C
PJ066	Structural Heart Disease 2	B-C
PJ067	Thromboembolism/Thrombolysis 1	B-D
PJ068	Thromboembolism/Thrombolysis 2	B-D

Case Report Session ROOM 1~3

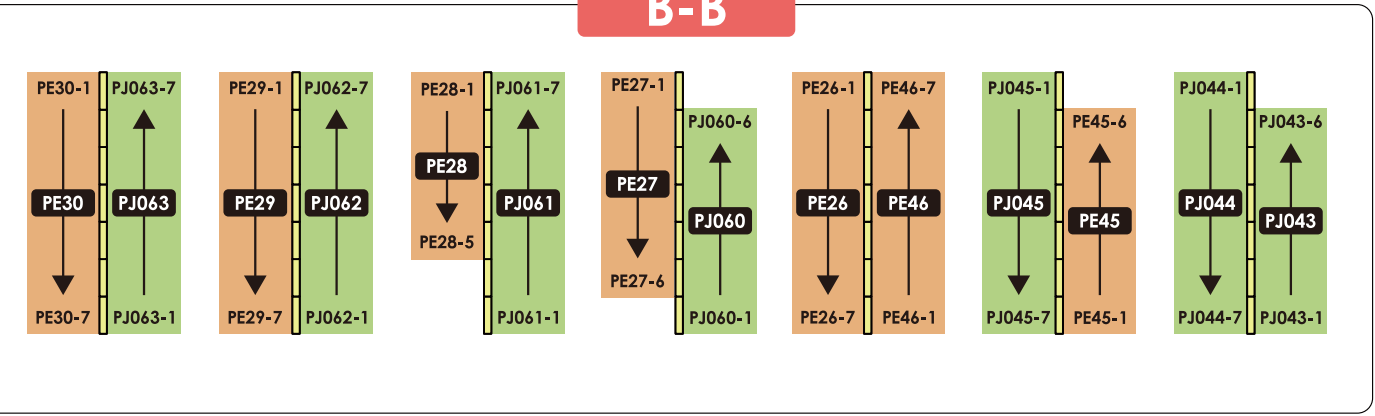
### B-D



### B-C



### B-B



### B-A

